

INSTALLATION

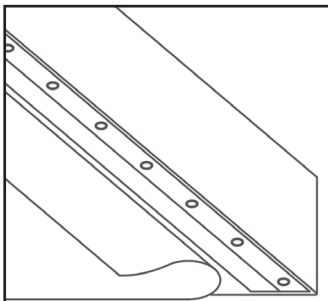
INSTALLING REINFORCED PERIMETER STRIP (RPS)

What you will need:

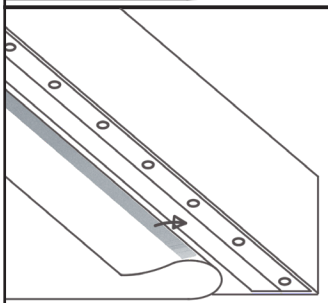
- Reinforced Perimeter Strip (RPS)
- Seam Plates
- Screws
- Tape Primer
- Contact Adhesive
- Paint Brush
- Seam Roller

Guide:

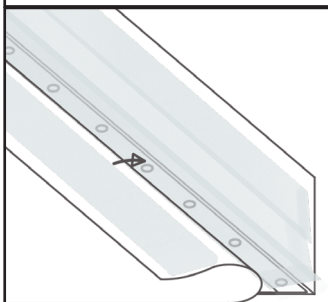
Reinforced Perimeter Strips (RPS) are used at angle changes to keep the membrane pulled tight into the corner, especially when turning into a vertical upstand.



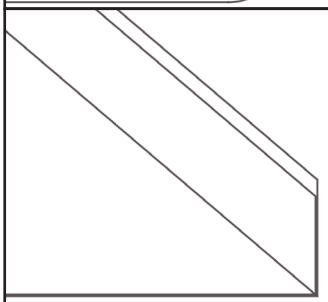
1. Fold back the membrane and lay the Reinforced Perimeter Strip tight against the angle change, tape side (covered with brown paper) up and furthest from the angle change.



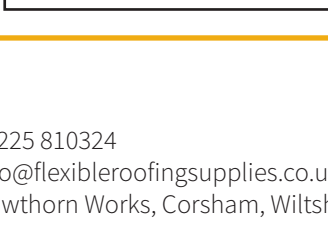
2. Lay metal seam plates along the edge closest to the upstand (non taped edge) approx. 300mm apart and screw the plates through the RPS and substrate.



3. Apply Tape Primer to the underside of the membrane to correspond to the tape on the RPS.



4. Wait for the primer to flash off (touch dry) then peel the backing from the tape on the RPS.



5. Roll the membrane onto the RPS and use a roller to remove any air and smooth the membrane out.

6. Apply Contact Adhesive to the upstand, the rest of the RPS (including over the seam plates) and the underside of the membrane and leave to flash off.

7. Roll the membrane on to the RPS and roller to remove any air then do the same for the upstand, paying particular attention to the angle change to achieve a neat finish.

8. Brush over the liner to smooth out the membrane.