

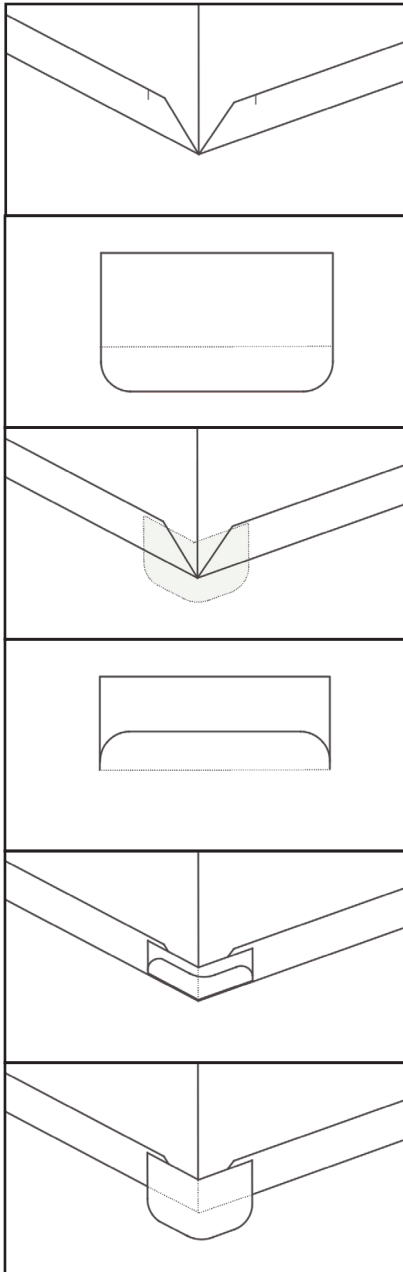
# INSTALLATION

## INSTALLING EXTERNAL CORNERS

### What you will need:

- Flashing Tape
- Tape Primer
- Paint Brush/Mini Roller
- Seam Roller
- Penny Roller

### Guide:



1. Slit the membrane from the inner corner at 45° so that the membrane can fit around the corner and attach to the upstand.
2. Mark 50mm beyond the membrane at its highest point and measure.
3. Cut a piece of Flashing Tape to the length measured, and round the bottom two corners.
4. Fold the tape along the length, 75mm from the bottom (this is how much tape must be applied to the deck).
5. Use the tape to mark out the application area on the deck and upstand.
6. Prime the area with Tape Primer using a brush.
7. Allow the primer to flash off until it is touch dry.
8. Fold the bottom section up in front of the tape.
9. Apply the tape to the upstand, working down from the top of one side, then the other (the backing paper can act as a barrier between the base of the tape and the deck whilst working).
10. Once applied to both upstands, work the tape into the angle change.
11. Work the tape out onto the deck evenly around the corner.
12. Using Seam and Penny Rollers, make sure all the air is removed and a good bond achieved.

If your Cover Trim/Wall Flashing does not cover the top of the Flashing Tape, you may need to add an additional piece of flashing above the corner flashing to ensure the corner is sealed.