

INSTALLATION

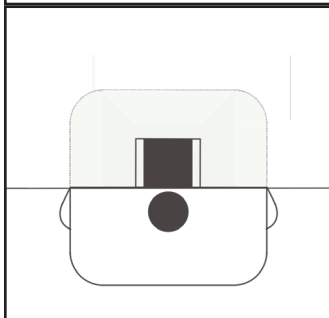
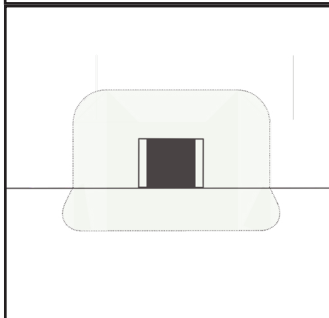
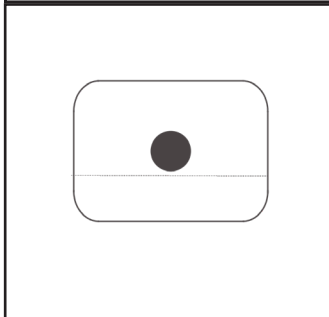
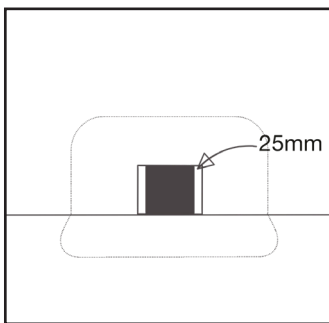
INSTALLING A HORIZONTAL DRAIN

What you will need:

- Horizontal Drain
- Flashing Tape
- Tape Primer
- Contact Adhesive
- Seam Roller
- Penny Roller
- Paint Brush/Mini Roller
- Lap Sealant (if required)

Guide:

Horizontal Drains are used for drainage through a parapet or other wall. Horizontal Drains should be fitted before laying your membrane.

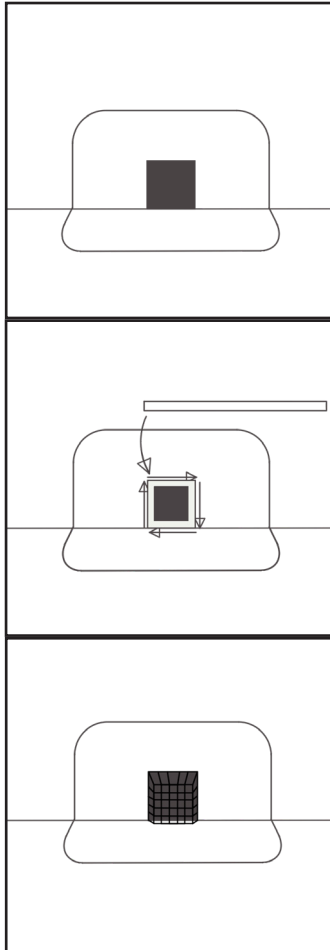


1. Fix the Horizontal Drain in position. You may wish to router out the size and depth from your deck to create a flush finish.
2. Attach the membrane to the deck and upstand as usual, using Contact Adhesive to attach the EPDM to the face of the drain.
3. Cut the membrane away from the opening of the drain plus an additional 25mm on the two sides.
4. Cut a piece of 228mm Flashing Tape to cover the cut-out area plus 75mm on all sides, and round the corners.
5. Fold the tape ensuring the larger portion covers the hole for the outlet by 75mm in all directions.
6. Mark the centre of the outlet and cut a hole in the tape.
7. Mark the position of the tape on the membrane.
8. Apply Tape Primer to the area where the tape will be applied including into the outlet 25mm.
9. Allow the primer to flash off until it is touch dry.
10. Peel the backing off the portion of the tape to be applied to the deck.
11. Attach the tape to the deck and roller to ensure a strong bond.
12. Use a Penny Roller to press the tape into the angle change.

INSTALLATION

INSTALLING A HORIZONTAL DRAIN

P2



- 13.** Peel the remainder of the backing away and apply the tape to the vertical starting at the bottom.
- 14.** Roller over the tape to remove any air bubbles and ensure a strong bond.
- 15.** Press the tape, moulding it into the outlet hole by 25mm.
- 16.** Cut a thin 75mm wide strip of the Flashing Tape.
- 17.** Apply Tape Primer to the inside of the outlet over the first piece of tape and onto the pipe, and allow to flash off.
- 18.** Apply the tape around the inside of the outlet to reinforce and lengthen the join.
- 19.** If the outlet is to be submerged in water, apply a bead of Lap Sealant around the tape.
- 20.** Fit any leaf guards.